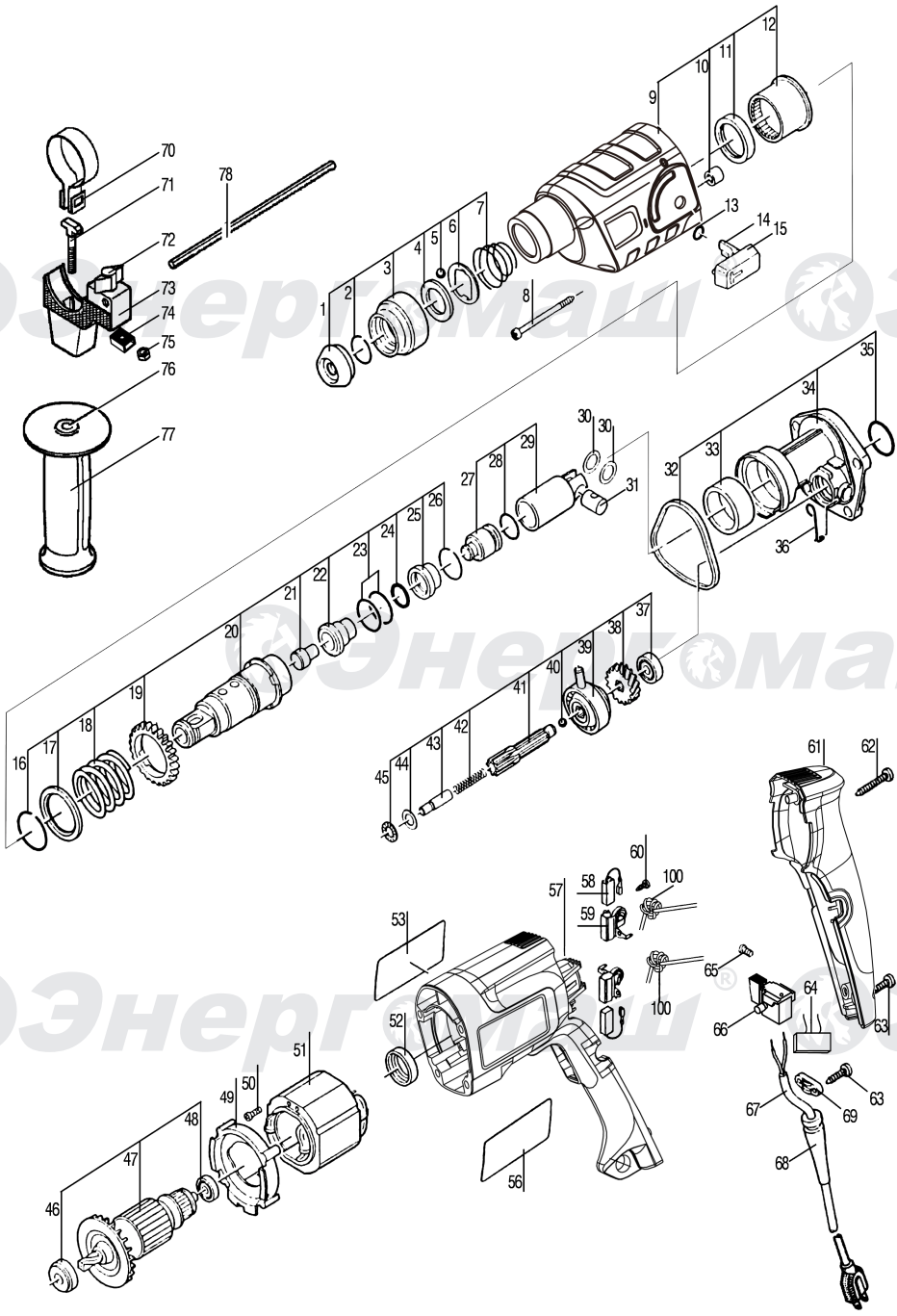


ПР-800



| NO. | DESCRIPTION | NO. | DESCRIPTION |
|-----|---------------------------|-----|------------------------|
| 1 | DUSTPROOF CAP | 41 | CENTER SHAFT |
| 2 | CIRCLIP | 42 | SPRING OF CENTER SHAFT |
| 3 | CLIP RING | 43 | PIN OF CENTER SHAFT |
| 4 | CLIP WASHER | 44 | FLAT WASHER |
| 5 | STEEL BALL | 45 | NEEDLE BEARING |
| 6 | CLIP WASHER | 46 | BEARING |
| 7 | SPRING | 47 | ROTOR |
| 8 | TAPPING SCREW | 48 | BEARING |
| 9 | FRONT HOUSING | 49 | WIND FENDER |
| 10 | NEEDLE BEARING | 50 | TAPPING SCREW |
| 11 | OIL SEAL | 51 | STATOR |
| 12 | SHAFT SLEEVE | 52 | BEARING BUSH |
| 13 | O RING | 53 | LABEL |
| 14 | PIN OF KNOB | 56 | LABEL |
| 15 | KNOB | 57 | HOUSING |
| 16 | CIRCLIP | 58 | CARBON BRUSH |
| 17 | WASHER | 59 | BRUSH BOX |
| 18 | SPRING | 60 | TAPPING SCREW |
| 19 | GEAR | 61 | REAR COVER |
| 20 | ROTARY SLEEVE | 62 | TAPPING SCREW |
| 21 | STRIKER | 63 | TAPPING SCREW |
| 22 | COVER OF STRIKER | 64 | CAPACITOR |
| 23 | O RING | 65 | TAPPING SCREW |
| 24 | O RING | 66 | SWITCH |
| 25 | FIXED SLEEVE | 67 | POWER CORD |
| 26 | STEEL WIRE CIRCLIP | 68 | CORD SLEEVE |
| 27 | PISTON | 69 | CORD CLAMP |
| 28 | O RING | 70 | RING OF HANDLE |
| 29 | CYLINDER | 71 | BOLT |
| 30 | WASHER | 72 | SCREW KNOB |
| 31 | PIN OF CYLINDER | 73 | BASE OF HANDLE |
| 32 | AIRPROOF RING | 74 | LOCKER FOR STAFF GUAGE |
| 33 | BUSH | 75 | M6 NUT |
| 34 | CENTER SHAFT FIXED HOLDER | 76 | M8 NUT |
| 35 | O RING | 77 | AUXILIARY HANDLE |
| 36 | CIRCLIP | 78 | STAFF GUAGE |
| 37 | BEARING | 100 | INDUCTOR |
| 38 | PINION | | |
| 39 | BALANCE BEARING | | |
| 40 | STEEL BALL | | |